

Replacement Door to Fit Existing Frame

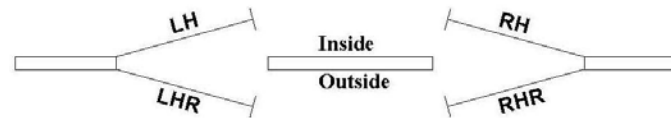
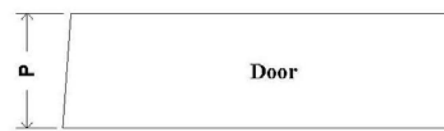
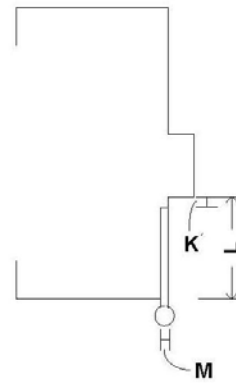
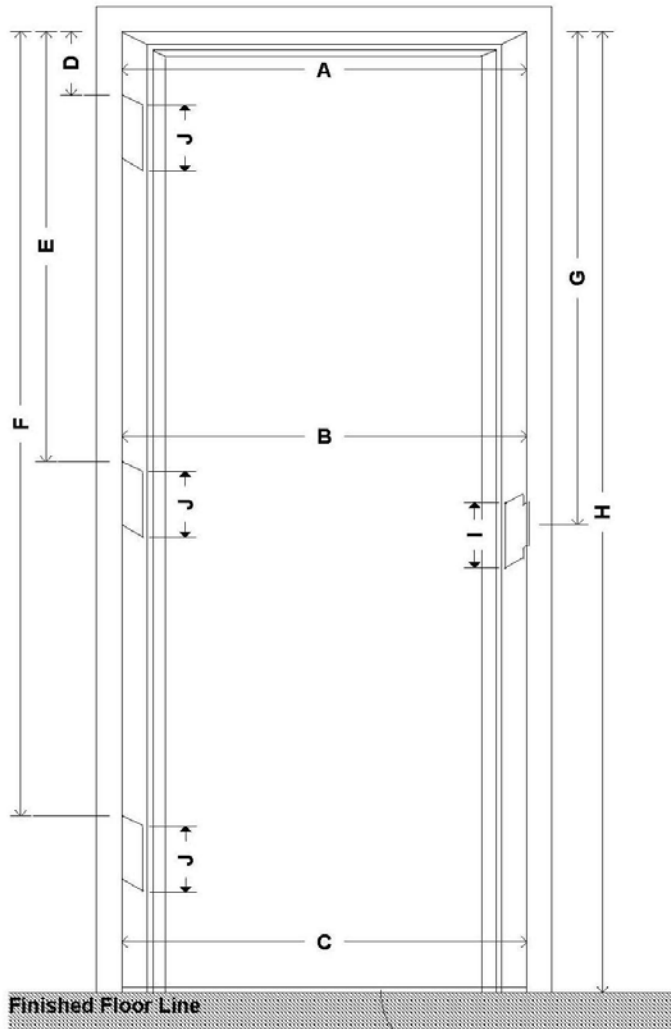
Job Name:

Door Location/Number:

Fill in all dimensions in inches and fractions to the nearest 1/32nd as accurately as possible.

Use steel rule or steel tape. We do not recommend folding rulers

Check frame for plumb and square also.



_____ A: Frame width @ top

_____ D: Top of frame to top of 1st hinge

_____ G: Top of frame to center of strike

_____ J: Hinge height

_____ M: Hinge thickness

_____ P: Door Thickness

_____ B: Frame width @ middle

_____ E: Top of frame to top of 2nd hinge

_____ H: Top of frame to finished floor

_____ K: Hinge backset

_____ N: Threshold height (if any)

_____ C: Frame width @ Bottom

_____ F: Top of frame to top of 3rd hinge

_____ I: Strike plate height

_____ L: Frame rabbet size

_____ O: Hand/Swing